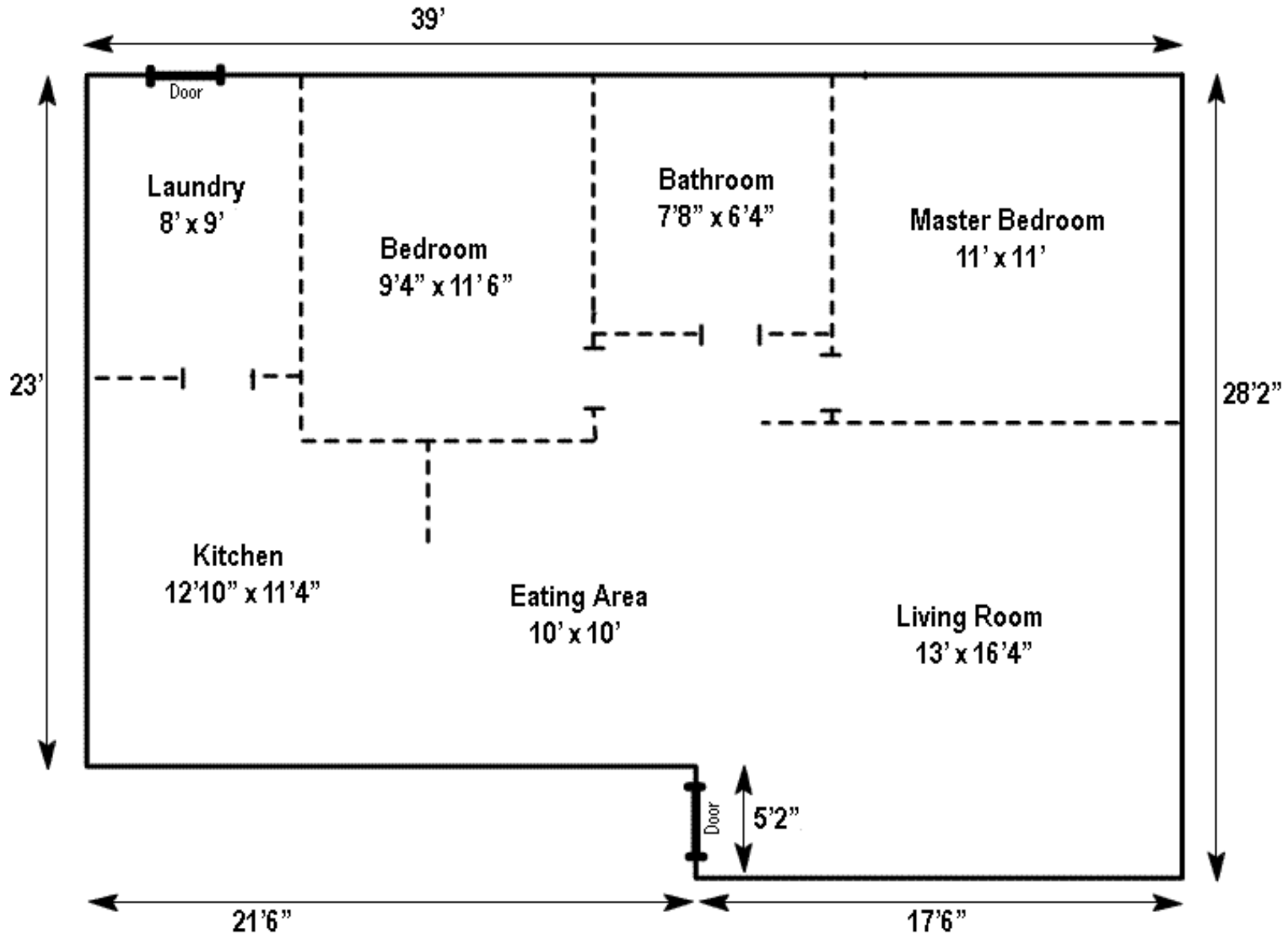


Ref # 09-1486-3



\* Please note all measurements are approximate. Refer to structure before construction.